



We Spin Draft introduce ourselves as the largest suppliers of spare parts for spinning accessories across the globe to customers specifications.

We are in the textile field for the past two decades serving our customers in domestic and international to their entire satisfaction.

**SpinDraft**

79, Sidco Industrial Estate (P.o), Kurichi, Coimbatore - 641 021. TamilNadu, INDIA.

Phone : +91 422 4517022,+91 90039 17515, +91 98942 17517

E-mail : sales@spindraft.com

Web. : www.spindraft.com

Print Vision  
+91 9894099333

**SpinDraft**



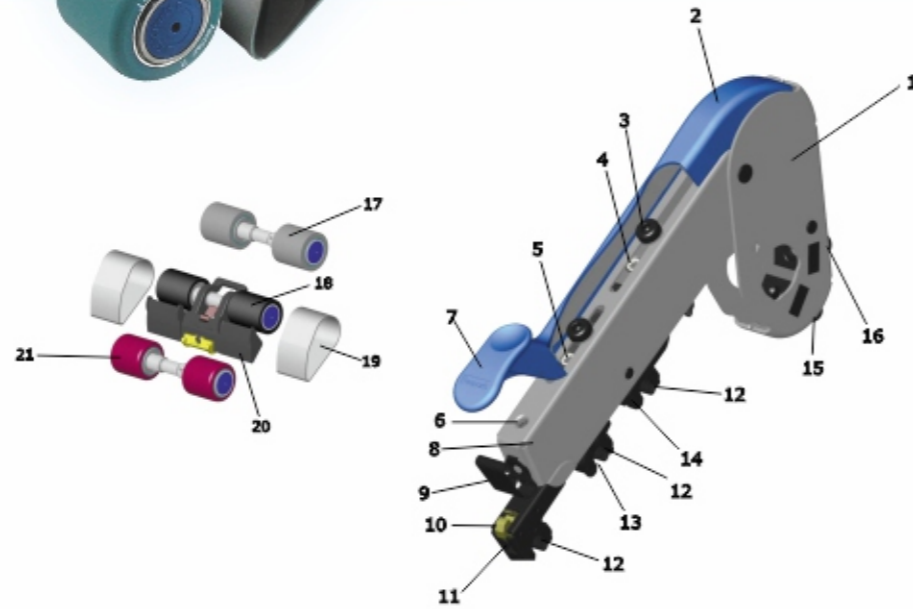
*A House of Spinning Accessories*



## Dimensions of Weighting ARM PK 2025 Plus

### Weighting Arm

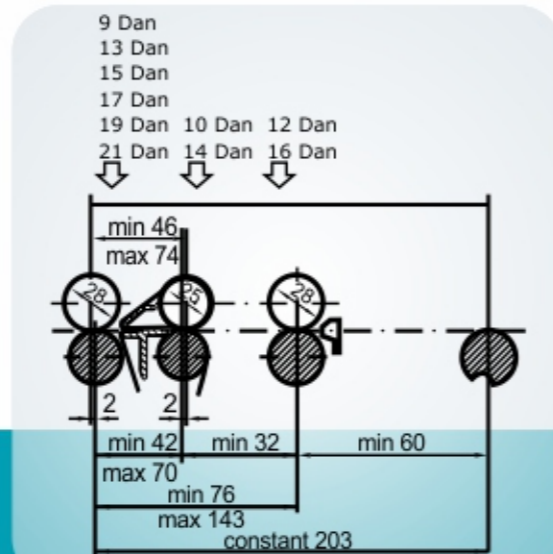
- 1 Bracket
- 2 Lever
- 3 Screw and washer
- 4 Eccentric load selector of rear weighting element
- 5 Eccentric load selector of middle weighting element
- 6 Adjuster for parallelism of front top roller
- 7 Handle
- 8 Frame
- 9 Clearer roller holder
- 10 Eccentric load selector of front weighting element/ Partial load
- 11 Front weighting element
- 12 Saddle spring
- 13 Middle weighting element
- 14 Rear weighting element
- 15 Height setting screw
- 16 Locking screw



### Equipment

(not included in delivery volume)

- 17 Rear top roller
- 18 Apron top roller
- 19 Top apron
- 20 Top apron cradle
- 21 Front top roller



All Type of Compact Mesh Aprons - Suessen, RIFA, Toyota, Huafang, Tonghe, & Pinter etc..



Simplex Flyer



Pressure Finger



False Twister



Clearer Rollers



Electrical Fluff Removing Gun Available in 150mm, 180mm, 300 mm



Roving Guides & Sliver Condensers



Cotton Mixing Oil



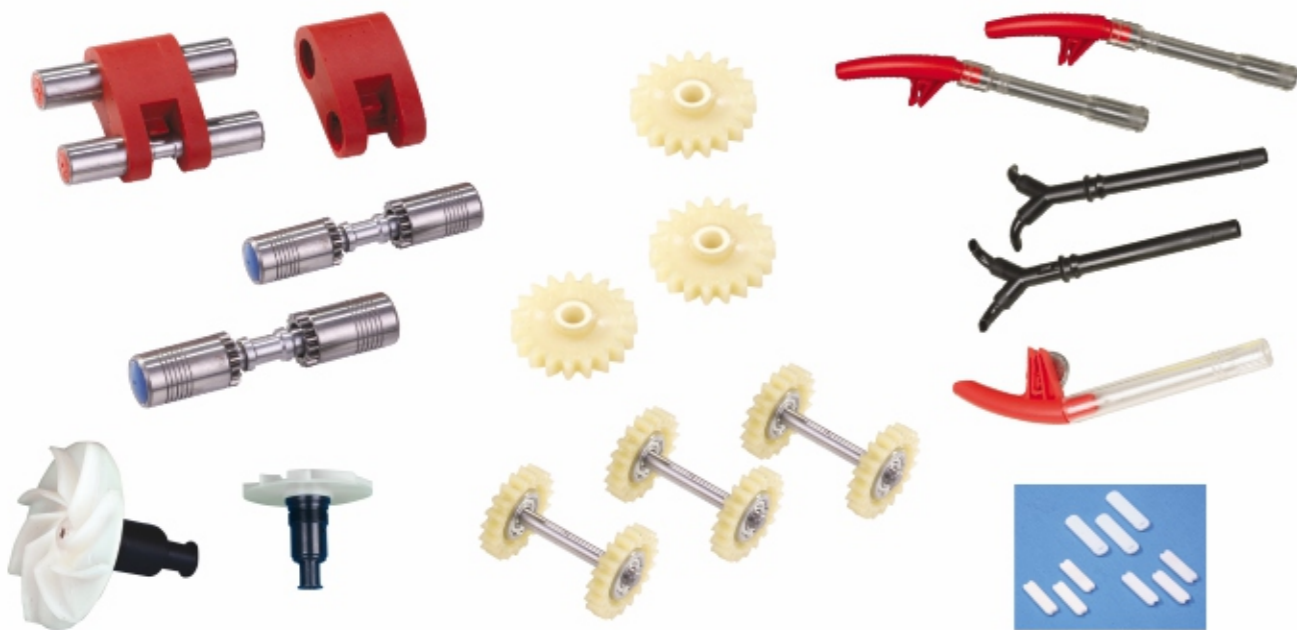
Bottom Roller Fluff Remover



RIETER - Compact Spares



Suessen - Compact Spares



Auto Doffing Spares

RIETER

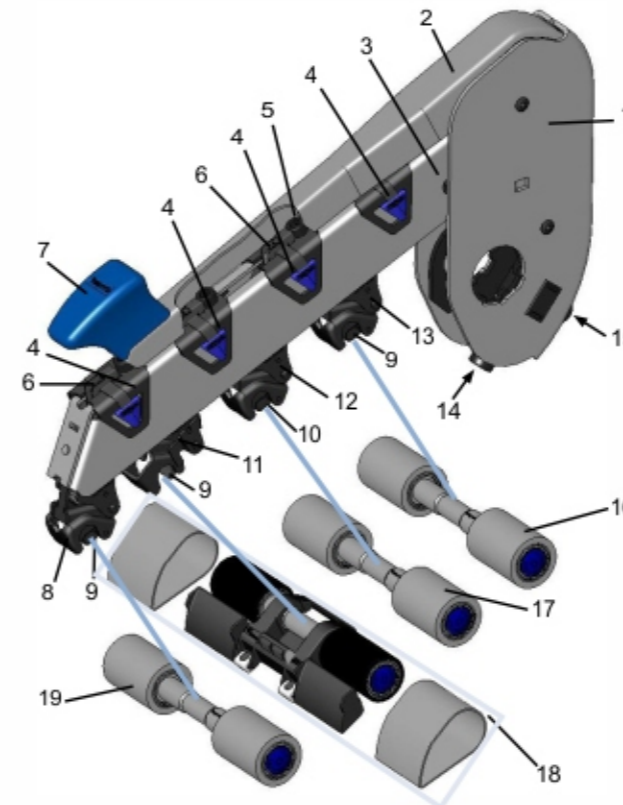


LMW



# Texparts

PK 1550  
4-roller version  
& 3-roller version

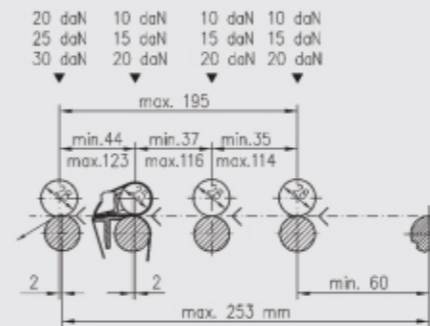


**Weighting arm**

- 1 Bracket
- 2 Lever
- 3 Frame
- 4 Load indicator
- 5 Screw
- 6 Eccentric load selector
- 7 Handle
- 8 Front guide element 1
- 9 Saddle spring steel
- 10 Saddle spring plastic
- 11 Middle guide element 2
- 12 Middle guide element 3
- 13 Rear guide element 4
- 14 Height setting screw
- 15 Locking screw

**Equipment**  
(not included in extent of supply)

- 16 Rear top roller 4
- 17 Middle top roller 3
- 18 Top apron cradle system
  - Apron top roller 2
  - Top apron cradle
  - Top apron
- 19 Front top roller 1



PK 1550-6017 295  
Fig. 2: Weighting arm PK 1550,  
4-roller version

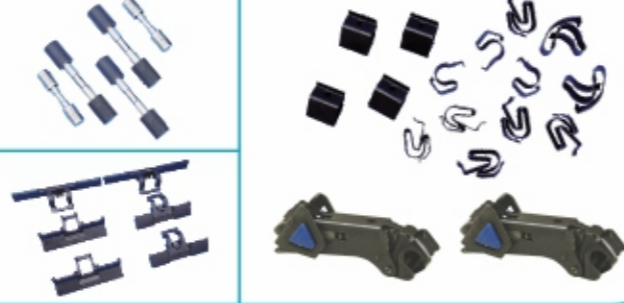
Dimensions of  
Weighting ARM PK 1550

## Our Range of Products

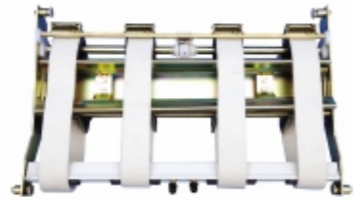
Texparts PK 5000 Weighting arm's Accessories



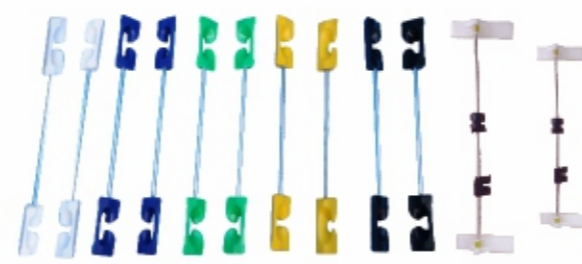
Texparts PK 1550 Weighting arm and Accessories



Top & Bottom Positive Cleaner unit and Accessories

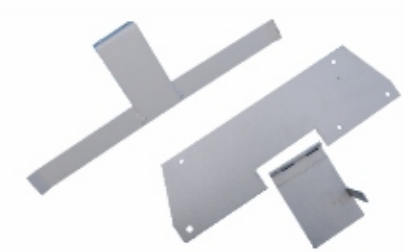


Spacers for Texparts, SKF, LR & Floating Condenser



SPARES AVAILABLE FOR LR 6 & G 5/1  
 DRAW FRAME MACHINE - ( DO/2S, DO/6 MAKE),  
 CARDING MACHINE - ( C1/2, C1/3, LC300, LC300AV3),  
 SIMPLEX MACHINE - ( TS15, LF 1400, LF1400A MAKE),  
 RING FRAME - ( G5/1, LR6 MAKE),  
 ALL BELT ITEMS - (V BELT, FLAT BELT, VARIATOR)  
 AS PER PART NO.

Over Head Travelling Cleaner Spares



Spindle Brakes Suitable for Texparts, LR, KTTM, Rieter, Auto Doffing Spindles and Non Auto Doffing Spindles



Ring Aluminum Adopter Suitable for LR, KTTM and Jingwei Ring Frames



Bottom Roller Bearing



Pin Spacers oval type suitable for SKF, LR & Suessen

